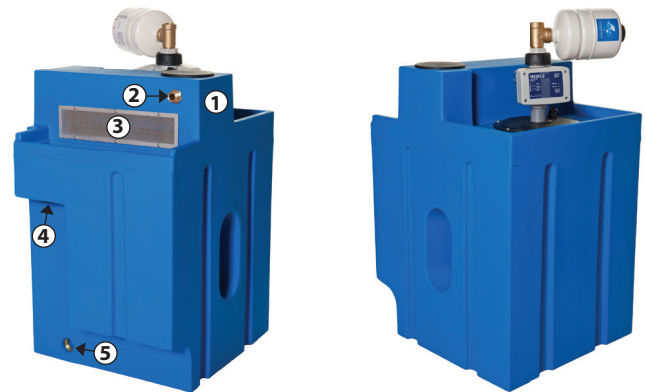


Multiboost Compact: 125ltr

The Multiboost Compact has been specifically designed for smaller properties with low water pressure and flow and where space is at a premium i.e. apartments/townhouses. Fitting into the space of a standard kitchen unit, the Powertank Compact is a similar size to a compact washing machine so can be hidden away behind a cupboard door. The electronic controller automatically starts and stops the pump when a drop in pressure is sensed i.e. a tap is opened and closed.

Key Features

1. Non-corrosive holding tank (WRAS approved material)
2. Pre-fitted WRAS approved fill valve
3. Integral overflow weir
4. Overflow connection
5. Optional tank drain-off fitting
6. Adjustable LED digital display flow controller
7. Dry run protection with auto restart (time delay)
8. Minimum installation required



Fill Valve



Variable Speed Option

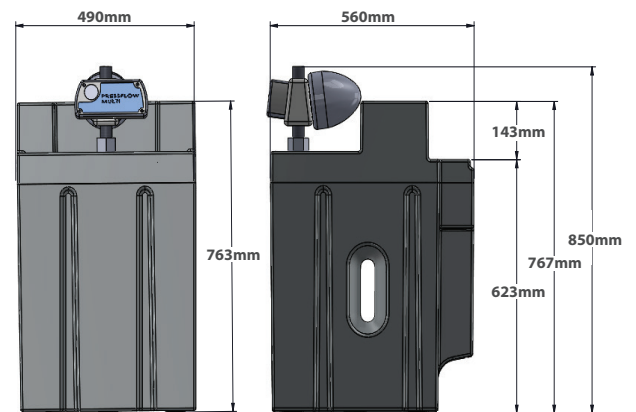
Range Options

Product Code	Model
1019648	125ltr Compact Fixed Speed
1019649	125ltr Compact Variable Speed
1028178	125ltr Compact Fixed Speed Auto Tech

System Connections

Connection	Size
Inlet*	¾" BSP
Outlet	1" BSP
Overflow	1¼" BSP
Drain Off	1" BSP

*Bypass unit recommended to be fitted on inlet supply



125ltr Compact

	Fixed Speed Option	Variable Speed Option
Power supply	240 volt, 50Hz	240 volt, 50Hz
Pump	Pedrollo TOP Multi 2 (240 volt)	Pedrollo Nkm 2/4 GE-N (240 volt)
Controller	Presflo 1.5 supplied with 2ltr pressure vessel	Steadypress M/M 8.5amp (D01141091)
Current Input	3.4 amp	6 amp
Mains Power Cable	2mtr x 1mm ² 3 core	2mtr x 1mm ² 3 core
Pump dB Rating (approx.)	<65dB	<65dB
Tank Weight Empty	30 kg	34 kg
Tank Weight Full	1ltr of water = 1 kg plus weight of empty tank	1ltr of water = 1 kg plus weight of empty tank
Access Cover Ø	190mm	190mm

Pump Type	Power		Q l/min	0	10	20	30	40	50	60	70	80
	kW	HP										
Top Multi 2	0.55	0.75	H Metres	42	40	38	34	30	24	18	11.5	5
Nkm 2/4 GE-N	0.75	1	H Metres	63	61	59	57	54	50	45	39	31